



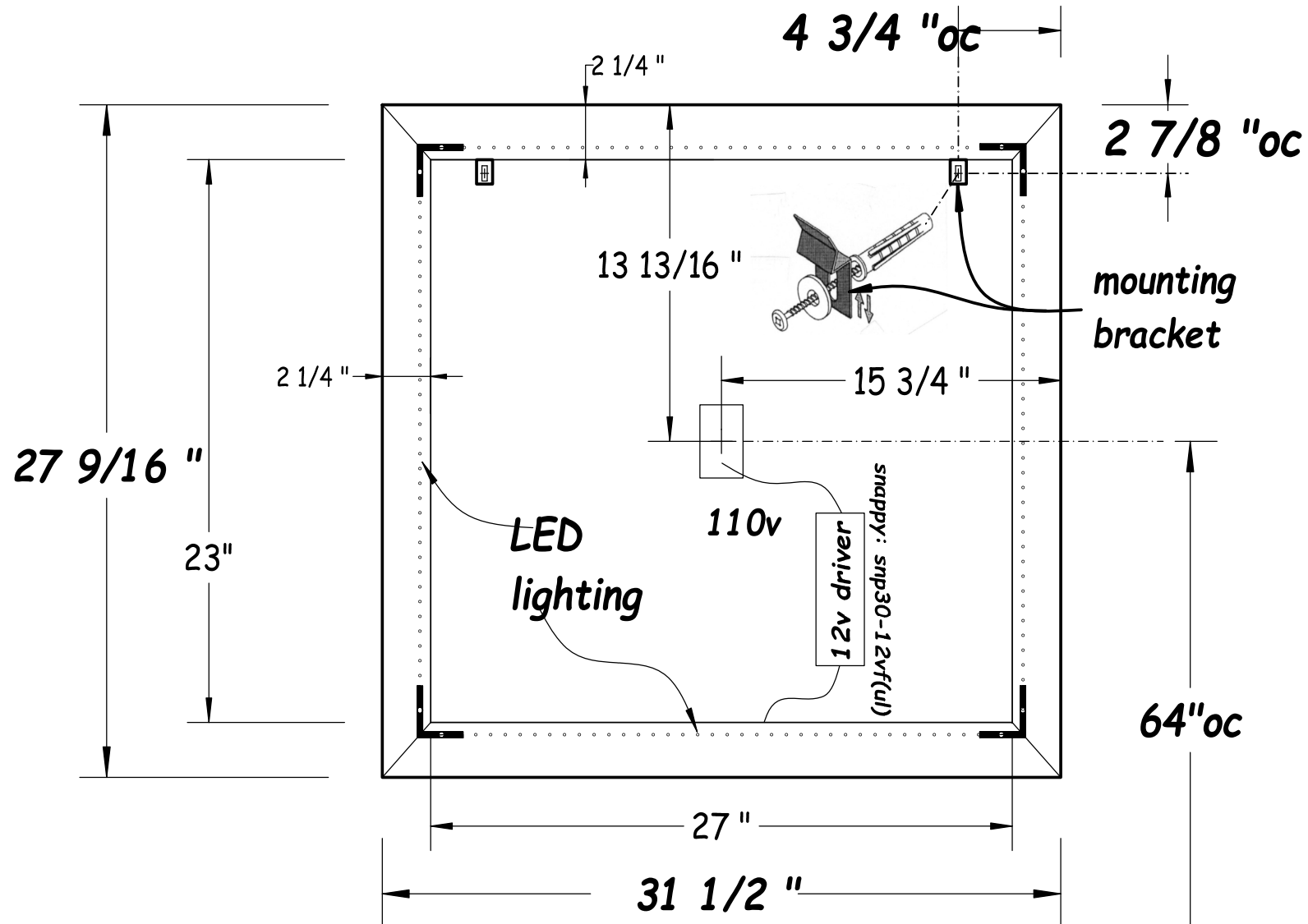
Hastings
Tile & Bath

Luna free mirror 80x70cm
LED backlit mirror

HASTING TILE AND BATH
711-8 KOEHLER AVE
RONKONKOMA, NY 11779
1-800-351-0038

DATE: **8/16/22**
BY: **mjh**

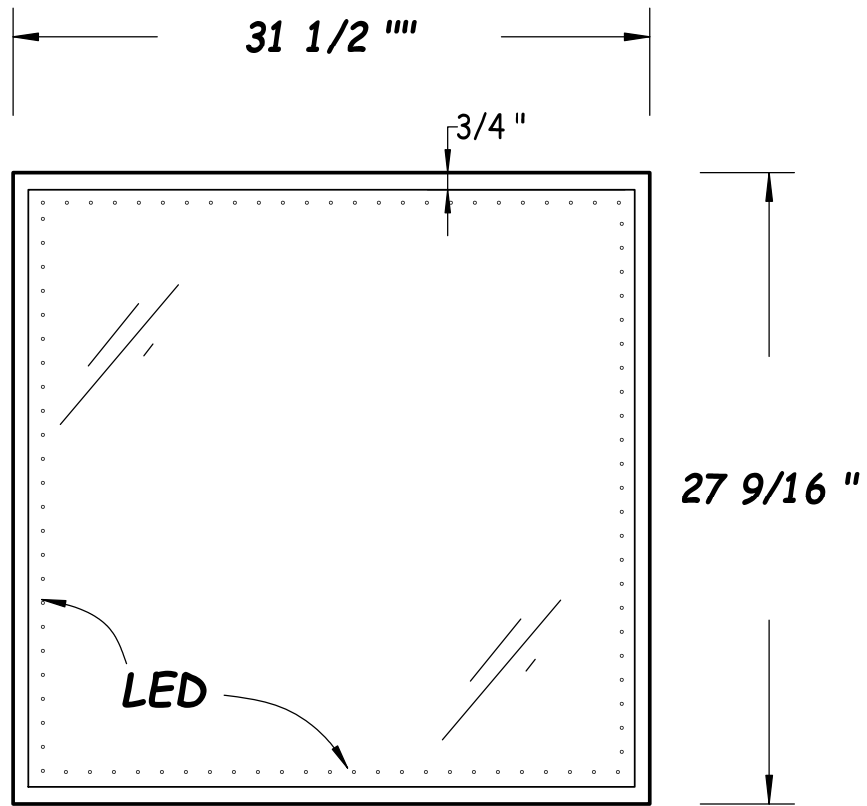
pg **1/3**



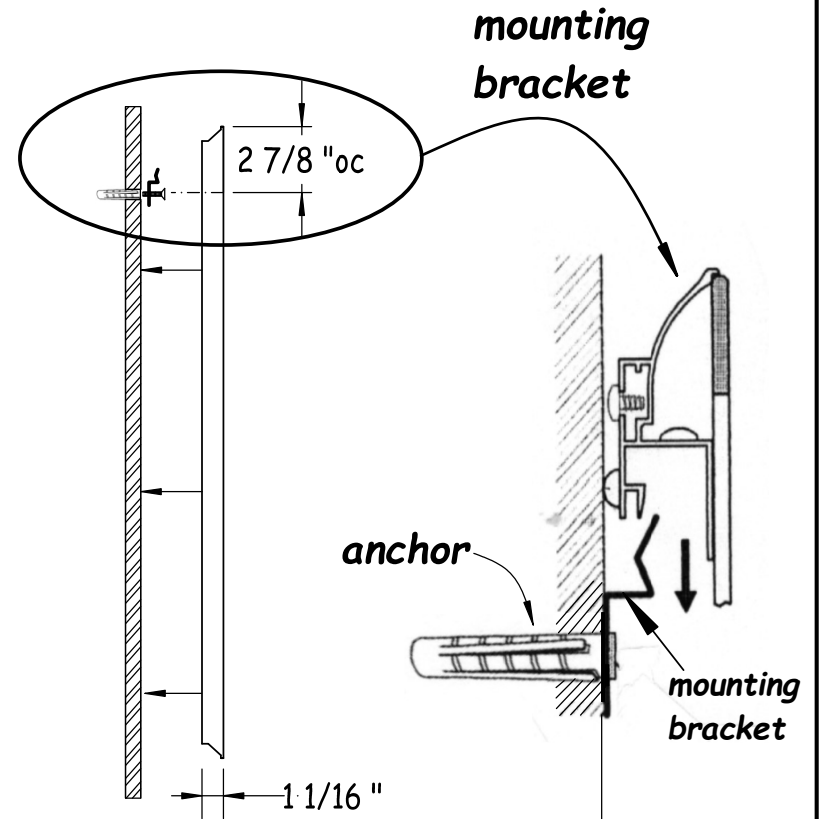
Rear View

Mirror can be installed on LONG or SHORT side.

- LED lighting must be hardwired to a wall switch -



Front View



Section View

Section View

- LED lighting must be hardwired to a wall switch -

