



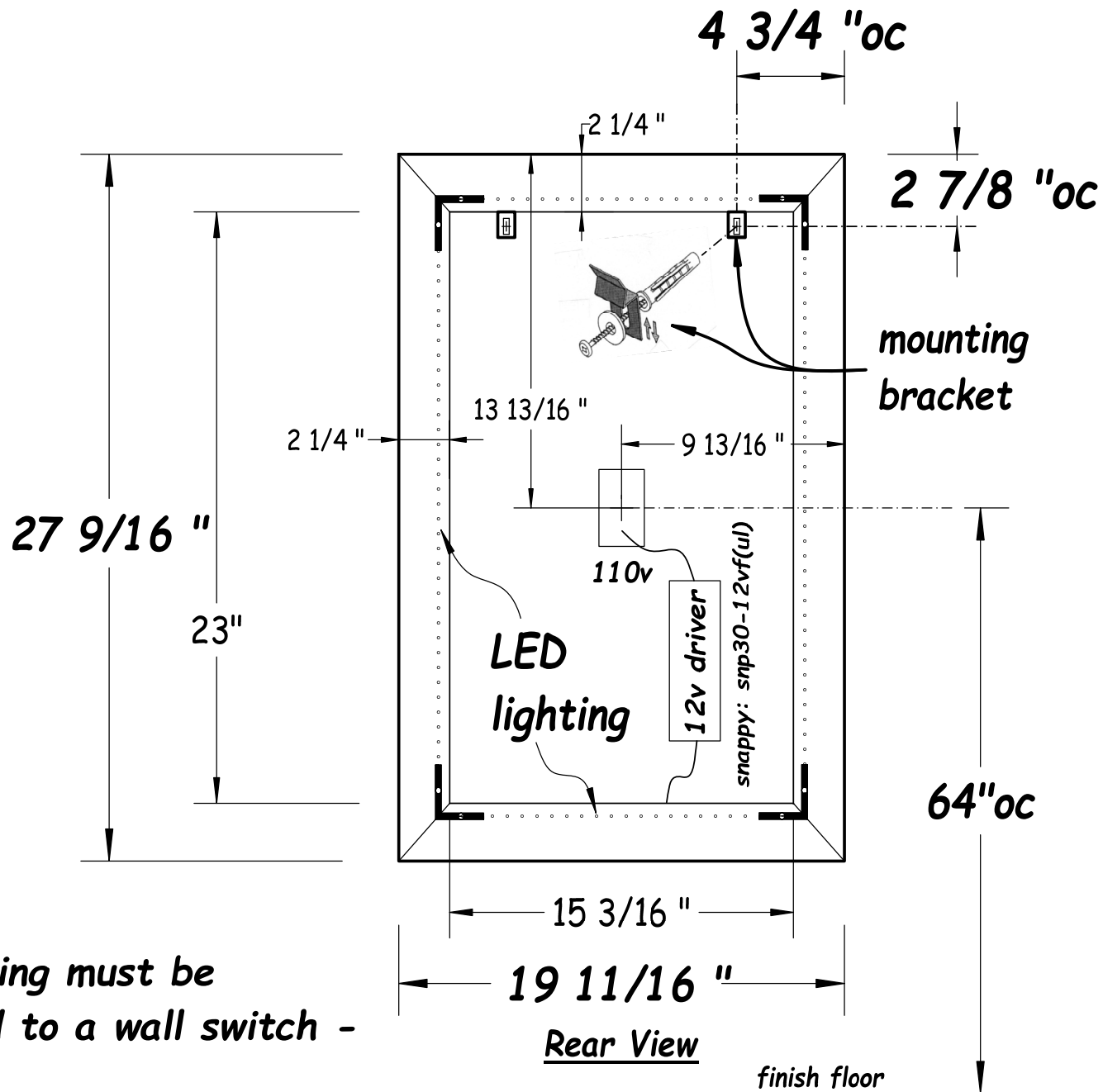
Hastings
Tile & Bath

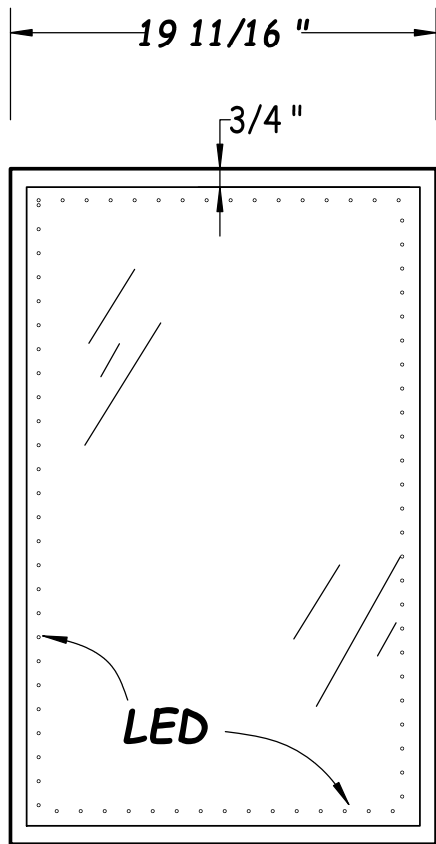
Luna free mirror 50x70cm
LED backlit mirror

HASTING TILE AND BATH
711-8 KOEHLER AVE
RONKONKOMA, NY 11779
1-800-351-0038

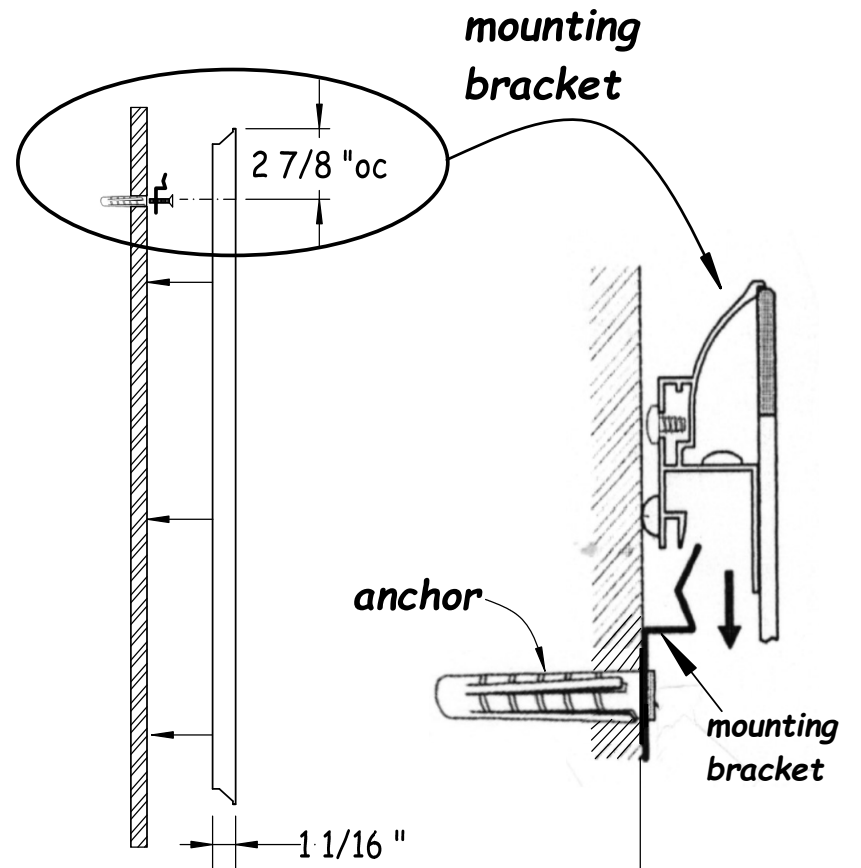
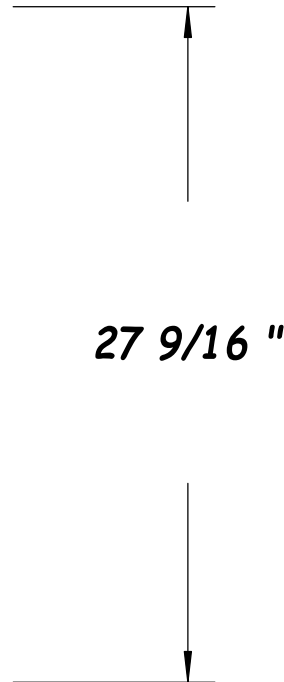
DATE: **8/16/22**
BY: **mjh**

pg **1/3**





Front View



Section View

Section View

Mirror can be installed
on LONG or SHORT side.

- LED lighting must be hardwired to a wall switch -



Hastings
Tile & Bath

Luna free mirror 50x70cm
Installation specifications

HASTING TILE AND BATH
711-8 KOEHLER AVE
RONKONKOMA, NY 11779
1-800-351-0038

DATE: 8/16/22
BY: mjh

pg 3/3